



QUOTATION & OFFER

(Ref.No.20180305-USA-001)



Project Name:
Customer:
Offer Product: BLAZE 1000-II
Offer date: 2018-03-
Offer Include: Price list/Technical parameter/Configuration list
Offer from: NINGBO LEADWAY MACHINERY TECHNOLOGY CO.,LTD.
Offer prepared by: Mr.Guo (Business Manager)





2. Technical Parameter

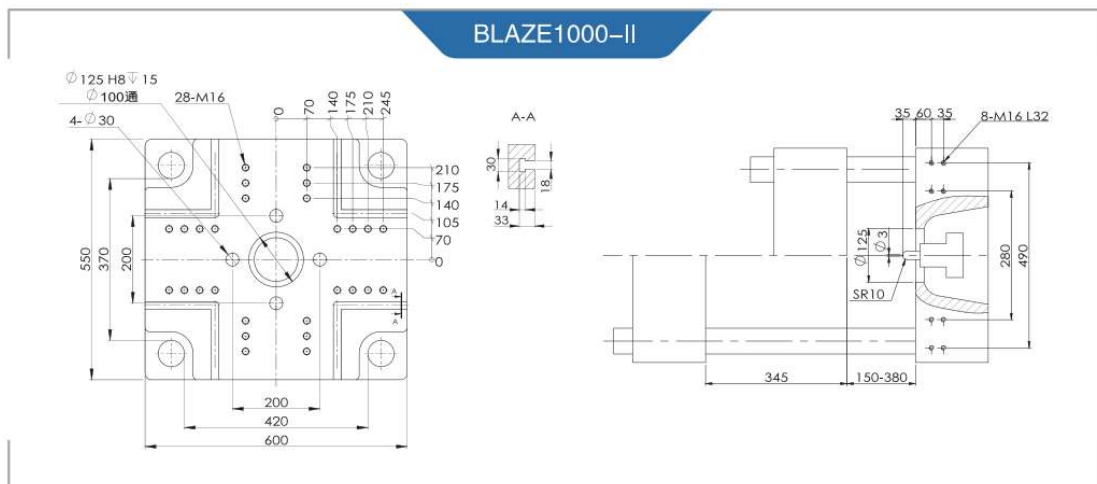


Model	Unit	BLAZE 1000-II		
International size rating		340		
Clamping Unit				
Clamping force	KN	1000		
Opening stroke	mm	340		
Space between tie-bars(H×V)	mm	420×370		
Max.mold height	mm	380		
Min mold height	mm	150		
Ejector stroke	mm	100		
Ejector force	mm	45		
Injection Unit				
		A	B	C
Screw diameter	mm	30	35	40
Screw L/D ratio	L/D	22	20	17.5
Theoretical shot volume	cm ³	106	164	214






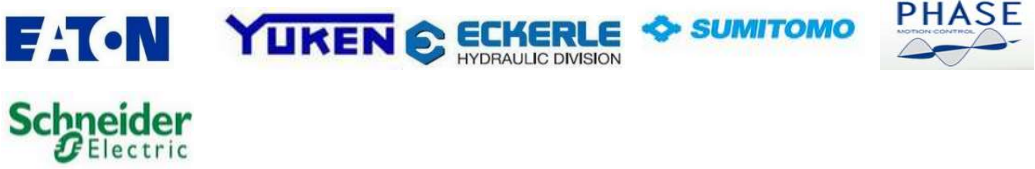
Shot weight	g	96	149	195
	oz	3.4	5.3	6.8
Injection rate	g/s	67.4	91.7	119.8
Injection pressure	Bar	2836	2083	1595
Plasticing capacity	g/s	8.2	13.9	17.3
Screw speed	rpm	0-244		
Others				
Max. pump pressure	Bar	175		
Drive power	Kw	18.2		
Heating capacity	Kw	6.8		
Machine dimensions	m	4.1×1.2×1.6		
Machine weight	t	3.7		
Hopper capacity	Kg	25		
Oil tank capacity	L	150		

Mold Platen Sizes:





3. Machine Standard Configuration

Items		Brand/country
Servo System 	Controller	KEBA(Austria)
	Servo Motor	PHASE(ITALY)
	Servo Drive	INOVANCE
	Oil Pump	ECKERLE (Germany) or SUMITOMO (Japan)
Electric Unit 	Stroke transducer	NOVO or FLTECH(Germany)
	Breaker	EATON (USA) OR Schneider(France)
	Contactor	EATON (USA) OR Schneider(France)
	Air Switch	Schneider (France)
	Location /Speed Sensor	Schneider (France)
Hydraulic Unit 	Hydraulic Direction Valve	REXROTH(Germany) OR YUKEN (Japan)
	Proportion back-pressure valve	North man (Taiwan)
	Plasticizing hydraulic Motor	DAN DUN or ZHONGYI (ITALY)
	Hydraulic Hose	MANULI(ITALY) or Painter (JOINT VENTER)
	Hydraulic Sealing ring	All Italy
Others Unit	Mechanical safety	Standard
	Electric safety	Standard
	Mold close fast	Standard
	Injection Unit	Linear guide-way
	Air core	Option
	Hydraulic Core	Option
	T slots and screw holes	Standard
<p>Servo system Compared with the other manufacturers is big, Overload ability strong and stable.</p>		
		

FUHRUNG[®]

力维机械科技有限公司
LEADWAY MACHINERY TECHNOLOGY CO.,LTD

宁波市北仑区戚家山街道林唐东362号
No.362 Lintang East,Qijiashan Street, Beilun
District ,Ningbo, China 315803
+86 574 8911 7558 8307 5287

+86 574 8307 5285
0086-189 6838 1624
sales@fuhrung.com
fuhrungimm@gmail.com



4.

