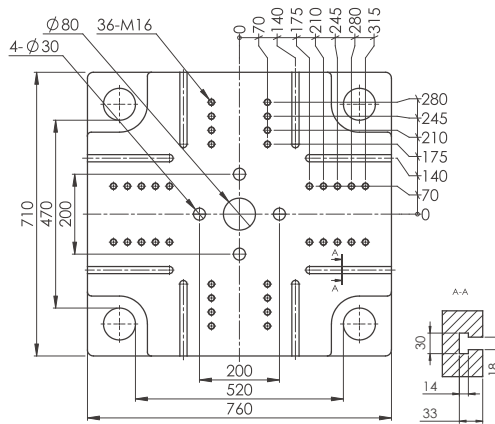


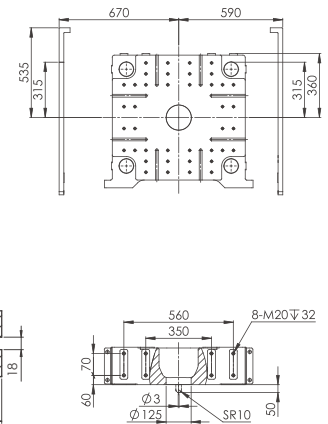
BLAZE 1800-II

Model Parameters	UNIT	A	B	C
Injection Unit		640		
Screw Diameter	mm	42	45	50
Screw L/D Ratio	L/D	23	21	19.5
Shot Size (Theoretical)	cm ³	291	358	442
Shot Weight(PS)	g	265	326	402
Shot Weight(PS)	oz	9.4	11.5	14.2
Injection Rate	g/s	144	165	204
Injection Pressure	Bar	2024	1763	1428
Screw Speed	r/min	224		
Clamping Unit				
Clamping Force	kN	1800		
Opening Stroke	mm	430		
Space Between Tie-bars (HxV)	mm	520x470		
Max. Mold Height	mm	530		
Min. Mold Height	mm	180		
Ejecting Stroke	mm	140		
Ejecting force	kN	45		
Others				
System Pressure	Bar	175		
Pump Motor Power	kW	20.4		
Heater Power	kW	11.4		
Dimension	m x m x m	5.2x1.4x1.8		
Weight	t	5.3		
Hopper Capacity	Kg	25		
Oil Tank Capacity	L	250		

Template Dimensions



Robot Assembling Dimensions



Machine Dimensions

